

**SECTION ST**  
**STEERING SYSTEM**

A  
 B  
 C  
 D  
 E  
 F  
**ST**  
 H  
 I  
 J  
 K  
 L  
 M  
 N  
 O  
 P

**CONTENTS**

<b>SYMPTOM DIAGNOSIS</b> .....	3	Inspection (GT-R certified NISSAN dealer) .....	15
<b>NOISE, VIBRATION AND HARSHNESS (NVH) TROUBLESHOOTING</b> .....	3	<b>LOWER SHAFT</b> .....	17
NVH Troubleshooting Chart .....	3	Exploded View .....	17
<b>PRECAUTION</b> .....	4	Removal and Installation (GT-R certified NISSAN dealer) .....	17
<b>PRECAUTIONS</b> .....	4	Inspection (GT-R certified NISSAN dealer) .....	18
Precaution for Supplemental Restraint System (SRS) "AIR BAG" and "SEAT BELT PRE-TENSIONER" .....	4	<b>STEERING GEAR AND LINKAGE</b> .....	19
Precaution Necessary for Steering Wheel Rotation after Battery Disconnect .....	4	Exploded View .....	19
Service Notice or Precautions for Steering System .....	4	Removal and Installation (GT-R certified NISSAN dealer) .....	20
General Precautions .....	5	Disassembly and Assembly (GT-R certified NISSAN dealer) .....	21
<b>PREPARATION</b> .....	6	Inspection (GT-R certified NISSAN dealer) .....	24
<b>PREPARATION</b> .....	6	<b>POWER STEERING OIL PUMP</b> .....	26
Special Service Tools (GT-R certified NISSAN dealer) .....	6	Exploded View .....	26
Commercial Service Tool .....	7	Removal and Installation (GT-R certified NISSAN dealer) .....	27
<b>ON-VEHICLE MAINTENANCE</b> .....	8	Disassembly and Assembly (GT-R certified NISSAN dealer) .....	27
<b>POWER STEERING FLUID</b> .....	8	Inspection (GT-R certified NISSAN dealer) .....	30
Inspection .....	8	<b>HYDRAULIC LINE</b> .....	32
<b>STEERING WHEEL</b> .....	10	Exploded View .....	32
Inspection .....	10	<b>SERVICE DATA AND SPECIFICATIONS (SDS)</b> .....	33
<b>ON-VEHICLE REPAIR</b> .....	13	<b>SERVICE DATA AND SPECIFICATIONS (SDS)</b> .....	33
<b>STEERING WHEEL</b> .....	13	General Specifications .....	33
Exploded View .....	13	Steering Wheel Axial End Play and Play .....	33
Removal and Installation .....	13	Steering Wheel Turning Torque .....	33
<b>STEERING COLUMN</b> .....	14	Steering Angle .....	33
Exploded View .....	14	Steering Column Mounting Dimensions (GT-R certified NISSAN dealer) .....	33
Removal and Installation (GT-R certified NISSAN dealer) .....	14	Steering Column Operating Range (GT-R certified NISSAN dealer) .....	33
		Lower Shaft (GT-R certified NISSAN dealer) .....	33

---

Rack Sliding Force (GT-R certified NISSAN dealer) .....	34	Socket Axial End Play (GT-R certified NISSAN dealer) .....	34
Rack Stroke (GT-R certified NISSAN dealer) .....	34	Inner Socket Length (GT-R certified NISSAN dealer) .....	34
Socket Swing Force and Rotating Torque (GT-R certified NISSAN dealer) .....	34	Relief Oil Pressure (GT-R certified NISSAN dealer) .....	

[www.gtr-store.eu](http://www.gtr-store.eu)

# NOISE, VIBRATION AND HARSHNESS (NVH) TROUBLESHOOTING

< SYMPTOM DIAGNOSIS >

## SYMPTOM DIAGNOSIS

### NOISE, VIBRATION AND HARSHNESS (NVH) TROUBLESHOOTING

#### NVH Troubleshooting Chart

INFOID:000000003850808

Use the chart below to find the cause of the symptom. If necessary, repair or replace these parts.

Symptom		Steering		Reference	
		Noise	Shake		
				ST-8. "Inspection"	
				ST-8. "Inspection"	
				ST-24. "Inspection (GT-R certified NISSAN dealer)"	
				ST-24. "Inspection (GT-R certified NISSAN dealer)"	
				ST-24. "Inspection (GT-R certified NISSAN dealer)"	
				ST-8. "Inspection"	
				ST-10. "Inspection"	
				ST-10. "Inspection"	
				EM-13. "Checking"	
				ST-10. "Inspection"	
				—	
				ST-19. "Exploded View"	
				ST-15. "Inspection (GT-R certified NISSAN dealer)"	
				ST-14. "Exploded View"	
				ST-19. "Exploded View"	
				NVH in DLN section.	
				NVH in DLN section.	
				NVH in FAX, RAX, FSU, RSU section.	
				NVH in WT section.	
				NVH in WT section.	
				NVH in FAX section.	
				NVH in BR section.	
Symptom	Steering	Noise	x	x	Fluid level
		Shake			Air in hydraulic system
		Vibration			Outer/inner socket ball joint swinging torque
		Shimmy			Outer/inner socket ball joint rotating torque
		Judder			Outer/inner socket ball joint end play
					Steering fluid leakage
					Steering wheel play
					Steering gear rack sliding force
					Drive belt looseness
					Improper steering wheel
					Improper installation or looseness of tilt lock lever
					Mounting looseness
					Steering column deformation or damage
					Improper installation or looseness of steering column
					Steering linkage looseness
					PROPELLER SHAFT
					DIFFERENTIAL
					AXLE and SUSPENSION
					TIRE
					ROAD WHEEL
					DRIVE SHAFT
					BRAKE

x: Applicable

A  
B  
C  
D  
E  
F  
ST  
H  
I  
J  
K  
L  
M  
N  
O  
P

# PRECAUTIONS

< PRECAUTION >

## PRECAUTION

### PRECAUTIONS

#### Precaution for Supplemental Restraint System (SRS) "AIR BAG" and "SEAT BELT PRE-TENSIONER"

INFOID:000000004166499

The Supplemental Restraint System such as "AIR BAG" and "SEAT BELT PRE-TENSIONER", used along with a front seat belt, helps to reduce the risk or severity of injury to the driver and front passenger for certain types of collision. This system includes seat belt switch inputs and dual stage front air bag modules. The SRS system uses the seat belt switches to determine the front air bag deployment, and may only deploy one front air bag, depending on the severity of a collision and whether the front occupants are belted or unbelted. Information necessary to service the system safely is included in the "SRS AIRBAG" and "SEAT BELT" of this Service Manual.

#### **WARNING:**

- To avoid rendering the SRS inoperative, which could increase the risk of personal injury or death in the event of a collision which would result in air bag inflation, all maintenance must be performed by an authorized NISSAN/INFINITI dealer.
- Improper maintenance, including incorrect removal and installation of the SRS, can lead to personal injury caused by unintentional activation of the system. For removal of Spiral Cable and Air Bag Module, see the "SRS AIRBAG".
- Never use electrical test equipment on any circuit related to the SRS unless instructed to in this Service Manual. SRS wiring harnesses can be identified by yellow and/or orange harnesses or harness connectors.

#### Precaution Necessary for Steering Wheel Rotation after Battery Disconnect

INFOID:000000004166500

#### **NOTE:**

- Before removing and installing any control units, first turn the push-button ignition switch to the LOCK position, then disconnect both battery cables.
- After finishing work, confirm that all control unit connectors are connected properly, then re-connect both battery cables.
- Always use CONSULT-III to perform self-diagnosis as a part of each function inspection after finishing work. If a DTC is detected, perform trouble diagnosis according to self-diagnosis results.

This vehicle is equipped with a push-button ignition switch and a steering lock unit.

If the battery is disconnected or discharged, the steering wheel will lock and cannot be turned.

If turning the steering wheel is required with the battery disconnected or discharged, follow the procedure below before starting the repair operation.

#### OPERATION PROCEDURE

1. Connect both battery cables.

#### **NOTE:**

Supply power using jumper cables if battery is discharged.

2. Turn the push-button ignition switch to ACC position.  
(At this time, the steering lock will be released.)
3. Disconnect both battery cables. The steering lock will remain released with both battery cables disconnected and the steering wheel can be turned.
4. Perform the necessary repair operation.
5. When the repair work is completed, re-connect both battery cables. With the brake pedal released, turn the push-button ignition switch from ACC position to ON position, then to LOCK position. (The steering wheel will lock when the push-button ignition switch is turned to LOCK position.)
6. Perform self-diagnosis check of all control units using CONSULT-III.

#### Service Notice or Precautions for Steering System

INFOID:000000003850811

- In case of removing steering gear assembly, make the final tightening with grounded and unloaded vehicle condition, and then check wheel alignment.
- Observe the following precautions when disassembling.
  - Before disassembly, thoroughly clean the outside of the unit.

# PRECAUTIONS

## < PRECAUTION >

- Disassembly should be done in a clean work area. It is important to prevent the internal parts from becoming contaminated by dirt or other foreign matter.
- For easier and proper assembly, place disassembled parts in order on a parts rack.
- Use nylon cloth or paper towels to clean the parts; common shop rags can leave lint that might interfere with their operation.
- Never reuse non-reusable parts.
- Before assembling, apply the specified grease to the directed parts.

## General Precautions

INFOID:000000004185647

### **CAUTION:**

**After finishing servicing, check that all the tools and waste are stored in a customary place.**

A

B

C

D

E

F

ST

H

I

J

K

L

M

N

O

P

www.gtr-store.eu

# PREPARATION

< PREPARATION >

## PREPARATION

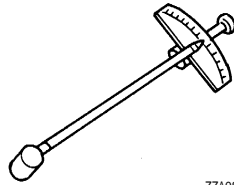
### PREPARATION

Special Service Tools (GT-R certified NISSAN dealer)

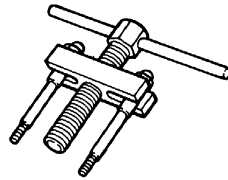
INFOID:000000003850859

The actual shapes of Kent-Moore tools may differ from those of special service tools illustrated here.

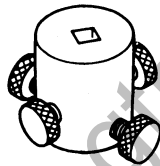
Tool number (Kent-Moore No.) Tool name	Description
ST3127S000 (J-25765-A) Preload gauge	Inspecting steering wheel turning torque, pinion rotating torque, and ball joint rotating torque
ST27180001 (J-25726-A) Steering wheel puller	Removing steering wheel
KV48103400 ( — ) Preload adapter	Inspecting rotating torque
ST35300000 ( — ) Drift a: 45.1 mm (1.776 in) dia. b: 59.0 mm (2.323 in) dia.	Installing oil pump oil seal
KV48103500 (J-26357) Oil pressure gauge	Measuring oil pump relief pressure
KV48102500 (J-33914) Oil pressure gauge adapter	Measuring oil pump relief pressure



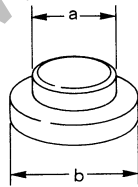
ZZA0806D



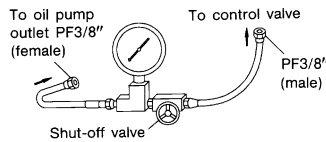
ZZA0819D



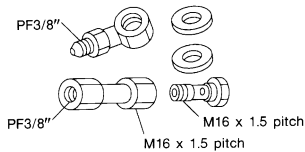
ZZA0824D



ZZA0881D



S-NT547



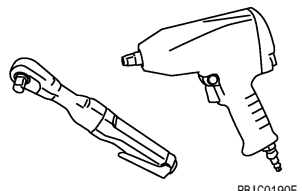
S-NT542

# PREPARATION

< PREPARATION >

## Commercial Service Tool

INFOID:000000003850860

Tool name	Description
<p data-bbox="162 289 276 315">Power tool</p>  <p data-bbox="844 504 917 525">PB1C0190E</p>	<p data-bbox="1006 289 1266 315">Loosening bolts and nuts</p>

- A
- B
- C
- D
- E
- F
- ST**
- H
- I
- J
- K
- L
- M
- N
- O
- P

www.gtr-store.eu

# POWER STEERING FLUID

< ON-VEHICLE MAINTENANCE >

## ON-VEHICLE MAINTENANCE

### POWER STEERING FLUID

#### Inspection

INFOID:000000003850861

#### FLUID LEVEL

1. Check fluid level with engine stopped.
2. Check that fluid level is between MIN and MAX.

**CAUTION:**

**Adjust the fluid level to the R level (B) rather than the fluid level (A) in sports driving mode or in high road driving mode.**

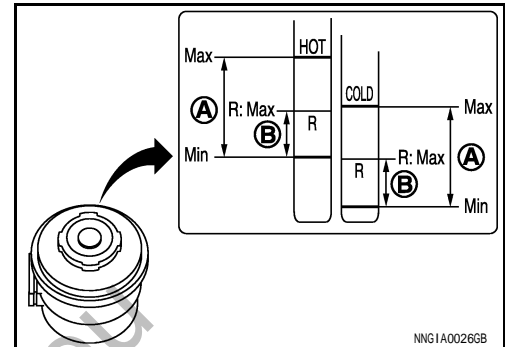
3. Fluid levels at HOT and COLD are different. Do not confuse them.

**HOT** : Fluid temperature 50 – 80°C (122 – 176°F)

**COLD** : Fluid temperature 0 – 30°C (32 – 86°F)

**Recommended fluid** : Refer to [MA-13, "Fluids and Lubricants"](#).

**Fluid capacity** : Refer to [ST-33, "General Specifications"](#).



**CAUTION:**

- The fluid level must not exceed the MAX line. Excessive fluid causes fluid leakage from the cap.
- Never reuse drained power steering fluid.

#### FLUID LEAKAGE

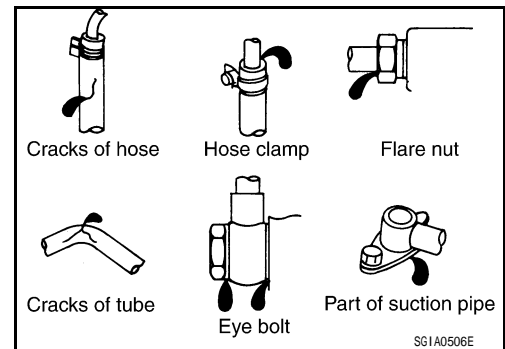
Check hydraulic connections for fluid leakage, cracks, damage, looseness, or wear.

1. Run the engine until the fluid temperature reaches 50 to 80°C (122 to 176°F) in reservoir tank, and keep engine speed idle.
2. Turn steering wheel several times from full left stop to full right stop.
3. Hold steering wheel at each lock position for five seconds and carefully check for fluid leakage.

**CAUTION:**

**Never hold the steering wheel in a locked position for more than 10 seconds. (There is the possibility that power steering oil pump assembly may be damaged.)**

4. If fluid leakage at connections occurs, loosen flare nut and then retighten. Do not overtighten connector as this can damage O-ring, washer and connector.
5. If fluid leakage from oil pump occurs, check oil pump. Refer to [ST-30, "Inspection \(GT-R certified NISSAN dealer\)"](#).
6. Check steering gear boots for accumulation of fluid leakage from steering gear.



#### AIR BLEEDING HYDRAULIC SYSTEM

If air bleeding is not completed, the following symptoms can be observed.

- Bubbles are created in reservoir tank.
- Clicking noise can be heard from oil pump.
- Excessive buzzing in the oil pump.

**NOTE:**

Fluid noise may occur in the steering gear or oil pump. This does not affect performance or durability of the system.

1. Turn steering wheel several times from full left stop to full right stop with engine off.

**CAUTION:**



## POWER STEERING FLUID

< ON-VEHICLE MAINTENANCE >

**Fill reservoir tank with a sufficient amount of fluid so that fluid level is not below the MIN line while turning steering wheel.**

2. Start the engine and hold steering wheel at each lock position for 3 seconds at idle to check for fluid leakage.
3. Repeat step 2 above several times at approximately 3 seconds intervals.

**CAUTION:**

**Never hold the steering wheel in a locked position for more than 10 seconds. (There is the possibility that oil pump may be damaged.)**

4. Check fluid for bubbles and white contamination.
5. Stop the engine if bubbles or white contamination exist. Perform step 2 and 3 above after waiting until bubbles and white contamination disappear.
6. Stop the engine, and then check fluid level.

A  
B  
C  
D  
E  
F  
ST  
H  
I  
J  
K  
L  
M  
N  
O  
P

www.gtr-store.eu

# STEERING WHEEL

< ON-VEHICLE MAINTENANCE >

## STEERING WHEEL

### Inspection

INFOID:000000003850862

#### STEERING WHEEL AXIAL END PLAY

1. Check installation conditions of steering gear assembly, front suspension assembly, axle and steering column assembly.
2. Check if movement exists when steering wheel is moved up and down, to the left and right and to the axial direction.

#### Standard

**Steering wheel axial end play** : Refer to [ST-33, "Steering Wheel Axial End Play and Play"](#).

3. Check the following items if steering wheel axial end play is out of the standard.
  - Check the steering column assembly mounting condition. Refer to [ST-14, "Exploded View"](#).
  - Check steering gear assembly mounting condition for looseness. Refer to [ST-19, "Exploded View"](#).

#### STEERING WHEEL PLAY

1. Turn steering wheel so that front wheels come to the straight-ahead position.
2. Start the engine and lightly turn steering wheel to the left and right until front wheels start to move.
3. Measure steering wheel movement on the outer circumference.

#### Standard

**Steering wheel play** : Refer to [ST-33, "Steering Wheel Axial End Play and Play"](#).

4. Check the following items if steering wheel play is out of the standard.
  - Check backlash for each joint of steering column assembly.
  - Check installation condition of steering gear assembly.

#### NEUTRAL POSITION STEERING WHEEL

1. Check that steering gear assembly, steering column assembly and steering wheel are installed in the correct position.
2. Perform neutral position inspection after wheel alignment. Refer to [FSU-7, "Inspection"](#).
3. Set the vehicle to the straight-ahead position and check that the steering wheel is in the neutral position.
4. Loosen outer socket lock nut and turn inner socket to left and right equally to make fine adjustments if steering wheel is not in the neutral position.

#### STEERING WHEEL TURNING TORQUE

1. Park the vehicle on a level and dry surface, apply parking brake.
2. Tires need to be inflated to the specified pressure. Refer to [WT-75, "Tire"](#).
3. Remove driver air bag module. Refer to [SR-5, "Exploded View"](#).
4. Start the engine.
5. Check that the power steering fluid is at the operating temperature.

**Fluid temperature** : 50 – 80°C (122 – 176°F)

# STEERING WHEEL

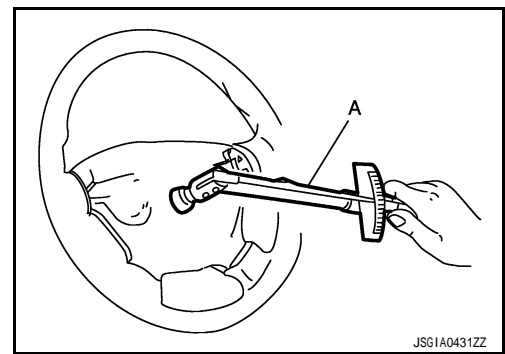
## < ON-VEHICLE MAINTENANCE >

6. Make sure that the reading is within the following specified range using preload gauge (A) [SST: ST3127S000 (J-25765-A)].

### Standard

**Steering wheel turning torque** : Refer to [ST-33, "Steering Wheel Turning Torque"](#).

7. If steering wheel turning force is out of the specification, check rack sliding force and relief hydraulic pressure of oil pump. Regarding relief hydraulic pressure of oil pump, refer to [ST-30, "Inspection \(GT-R certified NISSAN dealer\)"](#).



## RACK SLIDING FORCE

1. Disconnect lower joint and steering knuckle from steering gear assembly. Refer to [ST-19, "Exploded View"](#).
2. Start and run the engine at idle to make sure steering fluid reaches normal operating temperature.

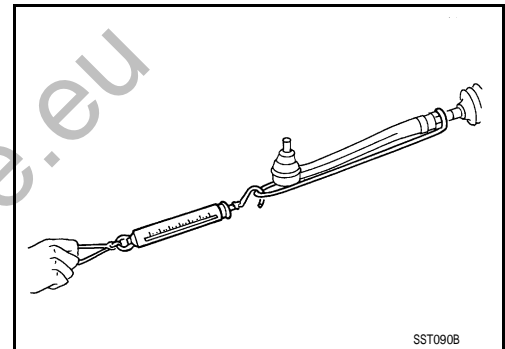
**Fluid temperature** : 50 – 80°C (122 – 176°F)

3. While pulling outer socket slowly in  $\pm 11.5$  mm ( $\pm 0.453$  in) range from neutral position, check that rack sliding force is within specification.

### Standard

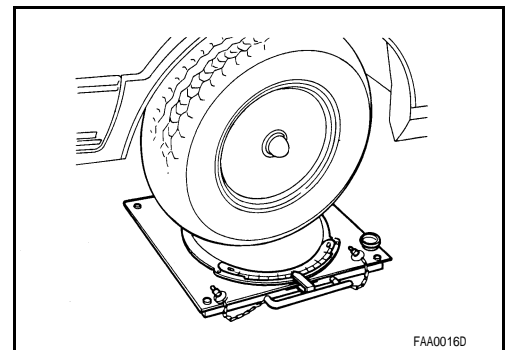
**Rack sliding force** : Refer to [ST-34, "Rack Sliding Force \(GT-R certified NISSAN dealer\)"](#).

4. If rack sliding force is not within specification, overhaul steering gear assembly.



## FRONT WHEEL TURNING ANGLE

1. Check front wheel turning angle after toe-in inspection. Refer to [FSU-7, "Inspection"](#).
2. Place front wheels on turning radius gauges and rear wheels on stands, so that vehicle can be level.
3. Check the maximum inner and outer wheel turning angles for LH and RH road wheels.

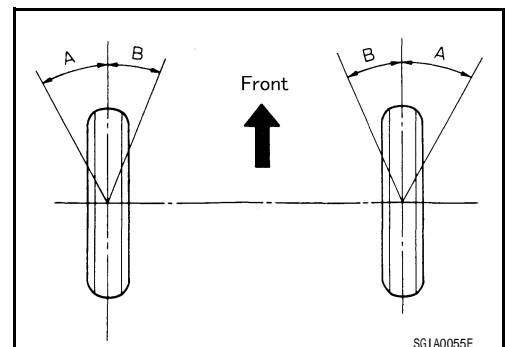


4. With the engine at idle, turn steering wheel from full left stop to full right stop and measure the turning angles.

### Standard

**Inner wheel (Angle: A)** : Refer to [ST-33, "Steering Angle"](#).

**Outer wheel (Angle: B)** : Refer to [ST-33, "Steering Angle"](#).



## STEERING WHEEL

### < ON-VEHICLE MAINTENANCE >

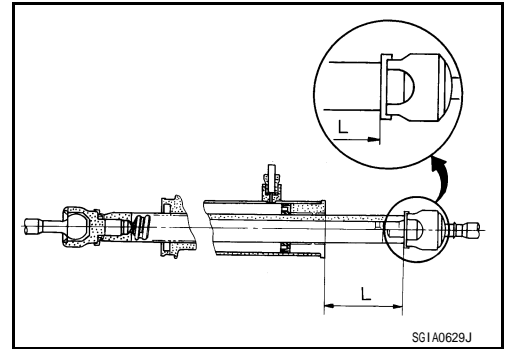
5. Check the following items if turning angle is out of the specified value.
  - a. Check the neutral position of the rack stroke (L).

#### Standard

L

: Refer to [ST-34, "Rack Stroke \(GT-R certified NIS-SAN dealer\)"](#).

- b. Disassemble steering gear assembly to check the cause that rack stroke is outside of the specified value.
  - Steering angles are not adjustable. Check steering gear assembly, steering column assembly and front suspension components for wear or damage if any of the turning angles are different from the specified value. Replace damaged or malfunctioning parts if necessary.



www.gtr-store.eu

# STEERING WHEEL

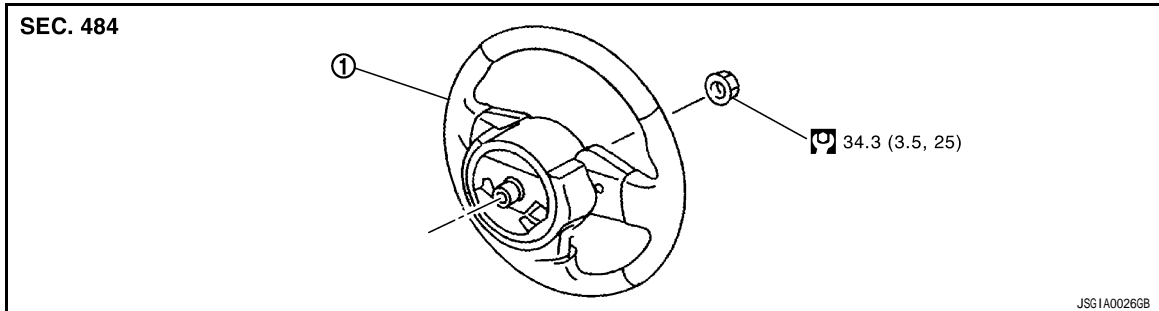
< ON-VEHICLE REPAIR >

## ON-VEHICLE REPAIR

### STEERING WHEEL

#### Exploded View

INFOID:000000003850863



1. Steering wheel

Refer to [GI-4, "Components"](#) for symbols in the figure.

#### Removal and Installation

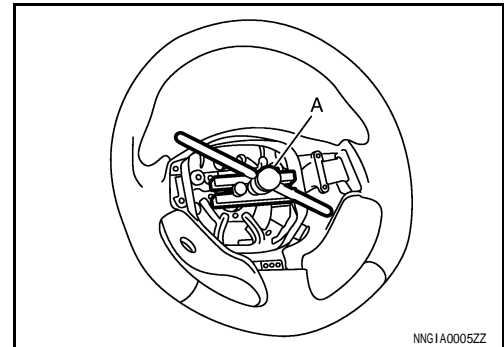
INFOID:000000003850864

##### REMOVAL

###### NOTE:

When reconnecting spiral cable, fix cable with a tape so that fixing case and rotating part keep aligned. This omits neutral position alignment procedure during spiral cable installation.

1. Set the vehicle to the straight-ahead position.
2. Remove driver air bag module. Refer to [SR-5, "Exploded View"](#).
3. Remove steering wheel lock nut after steering is locked.
4. Remove steering wheel with the steering wheel puller (A) [SST: ST27180001 (J-25726-A)].



##### INSTALLATION

Note the following, and install in the reverse order of removal.

###### CAUTION:

**Never twist spiral cable freely on excessively after it becomes tight (doing so may cause the cable to tear off).**

###### NOTE:

Check the spiral cable neutral position after replacing or rotating spiral cable. Refer to [SR-8, "Removal and Installation"](#).

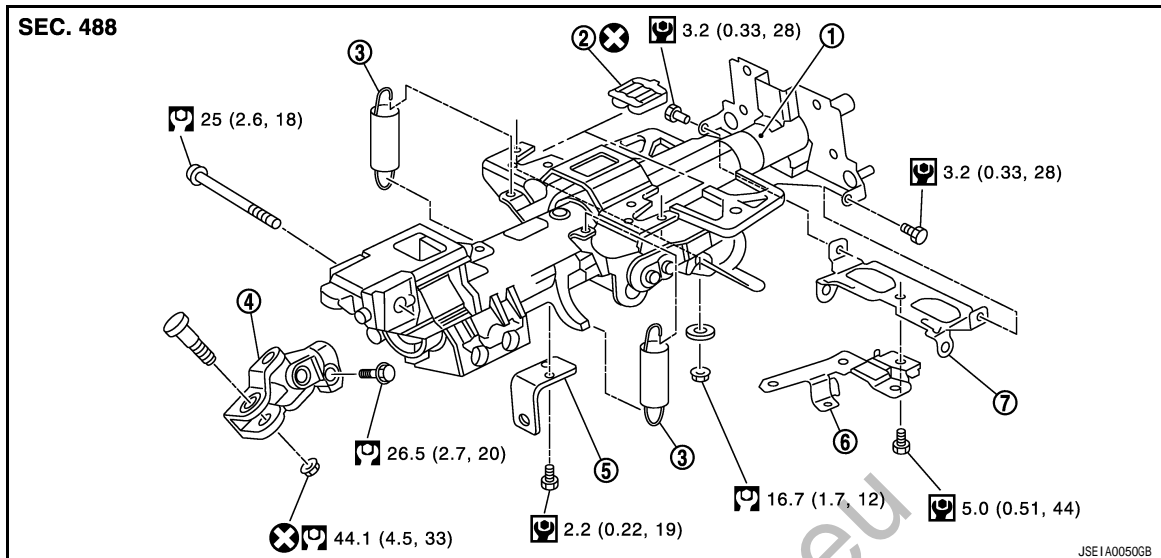
# STEERING COLUMN

< ON-VEHICLE REPAIR >

## STEERING COLUMN

### Exploded View

INFOID:000000003850865



- |                             |                |            |
|-----------------------------|----------------|------------|
| 1. Steering column assembly | 2. Slide plate | 3. Spring  |
| 4. Upper joint              | 5. Bracket     | 6. Bracket |
| 7. Bracket                  |                |            |

Refer to [GI-4, "Components"](#) for symbols in the figure.

### Removal and Installation (GT-R certified NISSAN dealer)

INFOID:000000003850866

#### REMOVAL

1. Set the vehicle to the straight-ahead position.
2. Place the tilt to the highest level. Place the telescopic to the longest level.
3. Remove driver air bag module. Refer to [SR-5, "Exploded View"](#).
4. Remove steering wheel. Refer to [ST-13, "Exploded View"](#).
5. Remove the steering column cover. Refer to [IP-11, "Exploded View"](#).
6. Remove spiral cable. Refer to [SR-8, "Exploded View"](#).
7. Remove combination switch. Refer to [BCS-79, "Exploded View"](#).
8. Remove the instrument driver lower panel. Refer to [IP-11, "Exploded View"](#).
9. Remove combination meter. Refer to [MWI-128, "Exploded View"](#).
10. Disconnect each switch harness connectors installed to steering column assembly.
11. Remove the upper joint mounting bolt and nut (lower shaft side), and separate the joint from lower shaft.
12. Remove steering column assembly.

#### CAUTION:

- Never give axial impact to steering column assembly during removal.
- Never move steering gear assembly when removing steering column assembly.

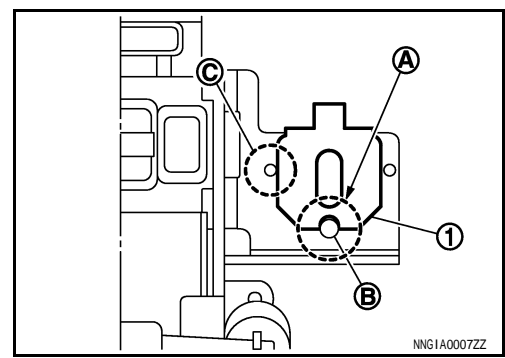
#### INSTALLATION

Note the following, and install in the reverse order of removal.

# STEERING COLUMN

## < ON-VEHICLE REPAIR >

- When installing the slide plate (1), contact it with the protrusion (C) of steering column, mating the half round cut (A) of slide plate with the protrusion (B) of steering column.



- Be careful of the following points when installing the steering column assembly.  
**CAUTION:**
  - Never give axial impact to steering column assembly during installation.
  - Never move steering gear assembly.
  - Never reuse the joint mounting nut (lower shaft side).
  - Never reuse the slide plate.
- Adjust neutral position of steering angle sensor. Refer to [BRC-10. "ADJUSTMENT OF STEERING ANGLE SENSOR NEUTRAL POSITION : Special Repair Requirement \(GT-R certified NISSAN dealer\)"](#).

## Inspection (GT-R certified NISSAN dealer)

INFOID:000000003850867

### INSPECTION AFTER REMOVAL

- Check each part of steering column assembly for damage or other malfunctions. Replace if necessary.
- Measure steering column assembly rotating torque using a preload gauge [SST: ST3127S000 (J-25765-A)]. Replace steering column assembly if outside the standard.

#### Standard

#### Rotating torque

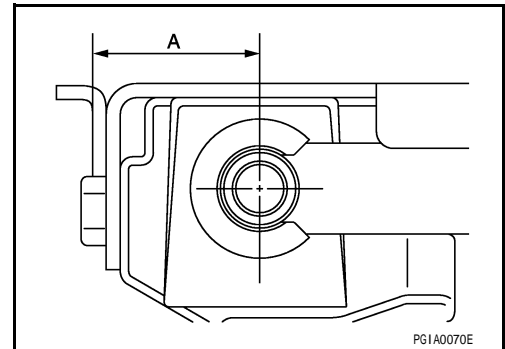
: Refer to [ST-33. "Steering Column Operating Range \(GT-R certified NISSAN dealer\)"](#).

- Install the bracket and steering column housing so that the clearance (A) is within the specified range as described below. Replace steering column assembly if out side the standard.

#### Standard

#### A

: Refer to [ST-33. "Steering Column Mounting Dimensions \(GT-R certified NISSAN dealer\)"](#).



### INSPECTION AFTER INSTALLATION

- Check each part of steering column assembly for damage or other malfunctions. Replace if necessary.
- Check the steering wheel play, neutral position steering wheel, steering wheel turning force, and front wheel turning angle. Refer to [ST-10. "Inspection"](#).

## STEERING COLUMN

### < ON-VEHICLE REPAIR >

- Check tilt and telescopic mechanism operating range tilt operating range (L1), telescopic operating range (L2) as shown in the figure.

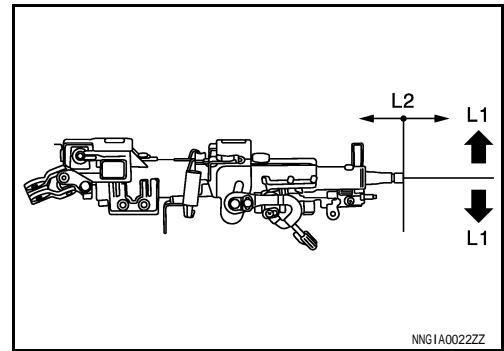
#### Standard

L1

: Refer to [ST-33, "Steering Column Operating Range \(GT-R certified NISSAN dealer\)"](#).

L2

: Refer to [ST-33, "Steering Column Operating Range \(GT-R certified NISSAN dealer\)"](#).



www.gtr-store.eu



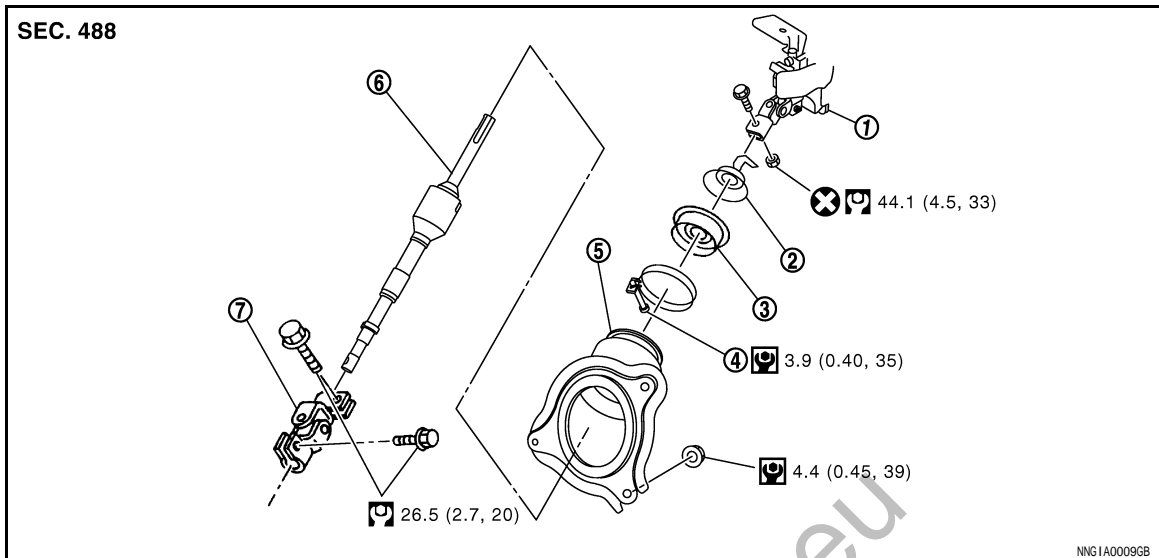
# LOWER SHAFT

< ON-VEHICLE REPAIR >

## LOWER SHAFT

### Exploded View

INFOID:000000003850871



- |                             |               |                    |
|-----------------------------|---------------|--------------------|
| 1. Steering column assembly | 2. Collar     | 3. Hole cover seal |
| 4. Clamp                    | 5. Hole cover | 6. Lower shaft     |
| 7. Lower joint              |               |                    |

Refer to [GI-4, "Components"](#) for symbols in the figure.

### Removal and Installation (GT-R certified NISSAN dealer)

INFOID:000000003850872

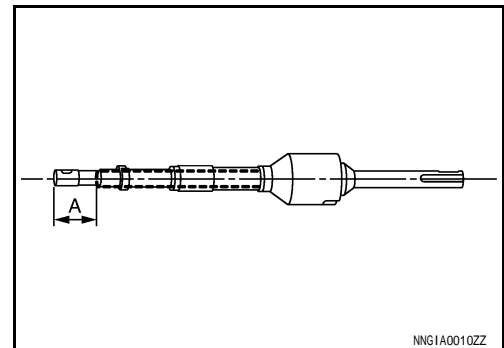
#### REMOVAL

1. Set the vehicle to the straight-ahead position.
2. Fix the steering wheel.
3. Remove the heat insulator. Refer to [ST-19, "Exploded View"](#).
4. Remove lower joint fixing bolt (steering gear side).
5. Separate the lower shaft from the steering gear assembly by sliding the slide shaft (A: sliding range).

#### CAUTION:

**Spiral cable may be cut if steering wheel turns while separating steering column assembly and steering gear assembly. Always fix the steering wheel using string to avoid turning.**

6. Remove the hole cover mounting nuts.
7. Remove the upper joint fixing bolt and nut (lower shaft side).
8. Remove the lower shaft and hole cover.
9. Remove collar, hole cover seal, clamp and hole cover.



#### INSTALLATION

Note the following, and install in the reverse order of removal.

#### CAUTION:

**Spiral cable may be cut if steering wheel rotates while separating steering column assembly and steering gear assembly. Always fix the steering wheel using string to avoid turning.**

## LOWER SHAFT

### < ON-VEHICLE REPAIR >

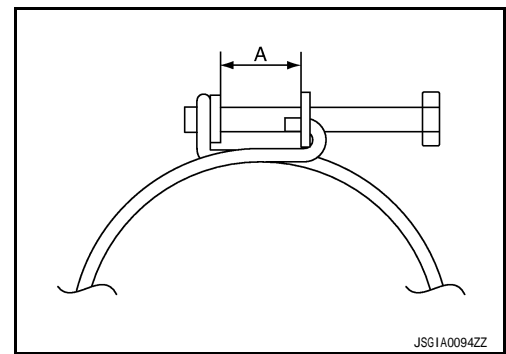
- Tighten the clamp to the specified torque and check the clamp length (A).

**A** : 14.0 – 18.0 mm (0.551 – 0.709 in)

- When installing lower joint to steering gear assembly, follow the procedure listed below.
- Set rack of steering gear in the neutral position.

#### NOTE:

To get the neutral position of rack, turn gear-sub assembly and measure the distance of inner socket, and then measure the intermediate position of the distance.



JSG1A0094ZZ

- Align rear cover cap projection (A) with the marking position of gear housing assembly (B).

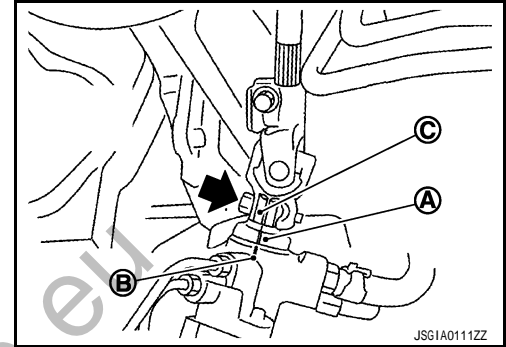
← : Bolt

- Install slit part of lower joint (C) aligning with the rear cover cap projection (A). Check that the slit part of lower joint (C) is aligned with rear cover cap projection (A) and the marking position of gear housing assembly (B).

- Adjust neutral position of steering angle sensor. Refer to [BRC-10, "ADJUSTMENT OF STEERING ANGLE SENSOR NEUTRAL POSITION : Special Repair Requirement \(GT-R certified NISSAN dealer\)"](#).

- Check the following after installation:

- Check if steering wheel turns smoothly when it is turned several times fully to the end of the left and right.
- Check the steering wheel play, neutral position steering wheel, steering wheel turning force, and front wheel turning angle. Refer to [ST-10, "Inspection"](#).



JSG1A0111ZZ

### Inspection (GT-R certified NISSAN dealer)

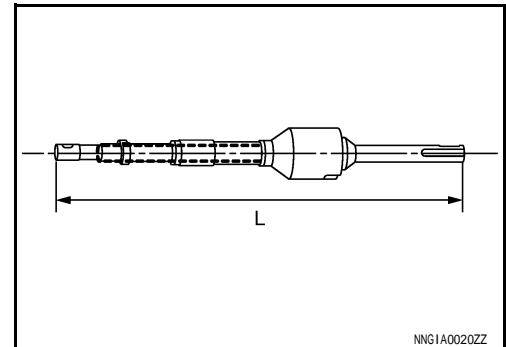
INFOID:000000003850873

- Check the length (L) (extended position) of the lower shaft.

**Standard**

**L** : Refer to [ST-33, "Lower Shaft \(GT-R certified NISSAN dealer\)"](#).

- Check each part of lower shaft for damage or other malfunctions. Replace if there are.



NG1A0020ZZ

# STEERING GEAR AND LINKAGE

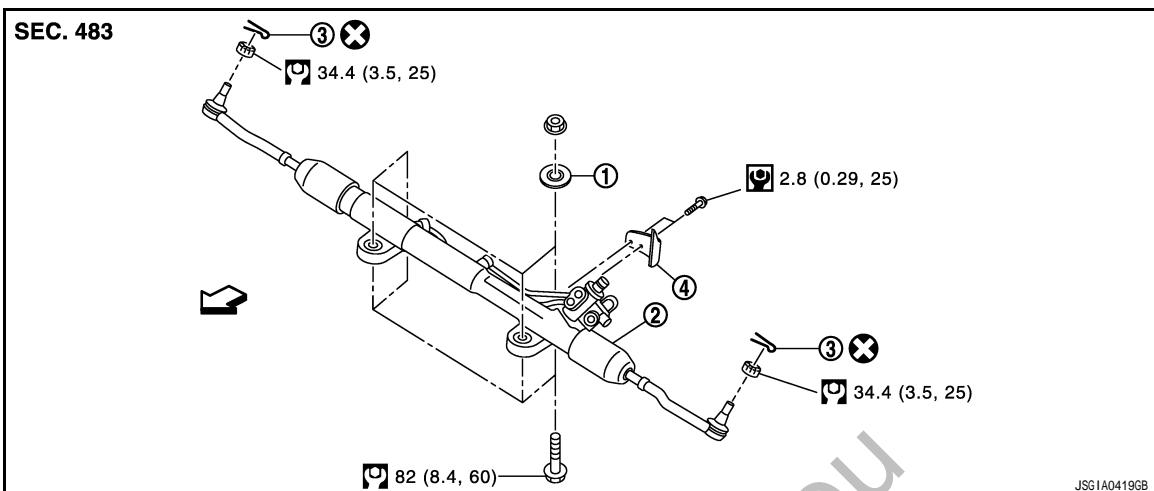
< ON-VEHICLE REPAIR >

## STEERING GEAR AND LINKAGE

Exploded View

INFOID:000000003850878

### REMOVAL

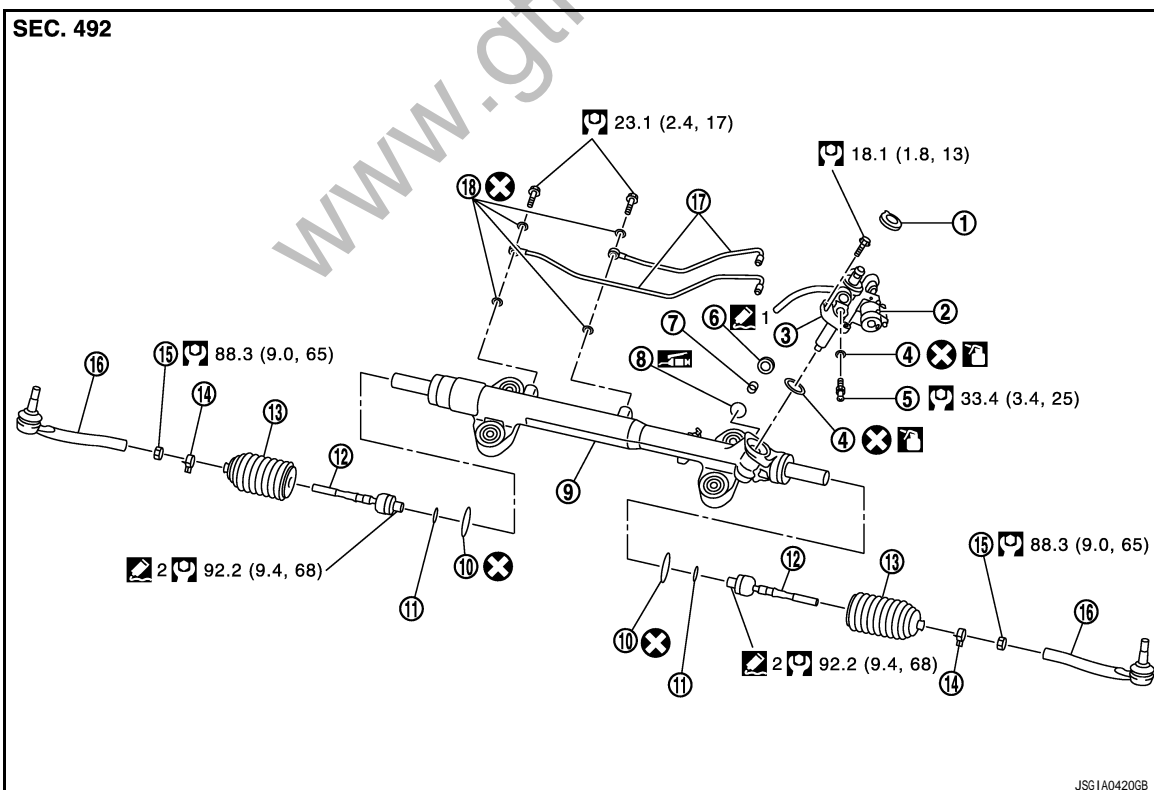


- 1. Spacer
- 2. Steering gear assembly
- 3. Cotter pin
- 4. Heat insulator

← Vehicle front

Refer to [GI-4. "Components"](#) for symbols in the figure.

### DISASSEMBLY




- 1. Rear cover cap
- 2. Power steering solenoid valve
- 3. Gear-sub assembly
- 4. O-ring
- 5. Low pressure piping
- 6. Adjusting screw

# STEERING GEAR AND LINKAGE


## < ON-VEHICLE REPAIR >

- |                                 |                    |                           |
|---------------------------------|--------------------|---------------------------|
| 7. Spring                       | 8. Retainer        | 9. Gear housing assembly  |
| 10. Boot clamp (stainless wire) | 11. Spacer         | 12. Inner socket          |
| 13. Boot                        | 14. Boot clamp     | 15. Outer socket lock nut |
| 16. Outer socket                | 17. Cylinder tubes | 18. Copper washer         |

: Apply power steering fluid.

<sup>1</sup>: Apply Genuine High Performance Thread Sealant or equivalent. Refer to [GI-15, "Recommended Chemical Products and Sealants"](#).

<sup>2</sup>: Apply Genuine Silicone RTV or equivalent. Refer to [GI-15, "Recommended Chemical Products and Sealants"](#)

: Apply multi-purpose grease.

Refer to [GI-4, "Components"](#) for symbols not described on the above.

## Removal and Installation (GT-R certified NISSAN dealer)

INFOID:000000003850879

### REMOVAL

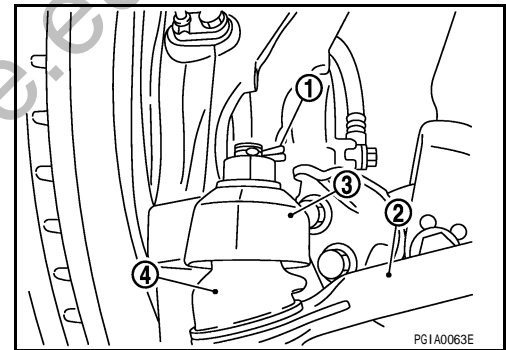
1. Set the vehicle to the straight-ahead position.
2. Remove tires with a power tool.
3. Remove engine floor under cover and front under cover. Refer to [EXT-28, "FENDER PROTECTOR : Exploded View"](#).

4. Remove cotter pin (1), and then loosen the nut.
5. Remove steering outer socket (2) from steering knuckle (3) so as not to damage ball joint boot (4) using suitable ball joint remover.

#### CAUTION:

**Temporarily tighten the nut to prevent damage to threads and to prevent the ball joint remover from sudden drop.**

6. Remove high pressure piping and low pressure piping of hydraulic piping, and then drain power steering fluid.

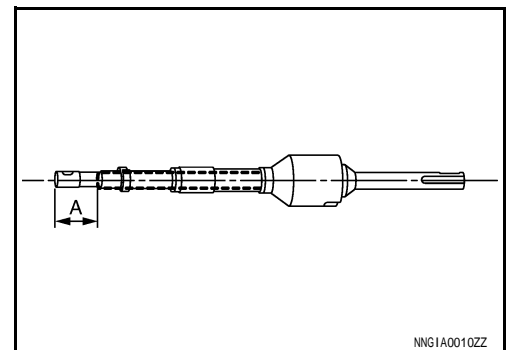


7. Remove power steering solenoid valve harness connector (1).
8. Remove heat insulator.
9. Remove lower joint fixing bolt (steering gear side).
10. Separate the lower shaft from the steering gear assembly by sliding the slide shaft (A: sliding range).

#### CAUTION:

**Spiral cable may be cut if steering wheel turns while separating steering column assembly and steering gear assembly. Always fix the steering wheel using string to avoid turning.**

11. Remove the mounting bolts and nuts of steering gear assembly.
12. Support front suspension member with a suitable jack.
13. Remove front suspension member bolts and nuts. Refer to [FSU-19, "Exploded View"](#).
14. Lower the suitable jack for the front suspension member.
15. Remove steering gear assembly.



### INSTALLATION

Note the following, and install in the reverse order of removal.

#### CAUTION:

**Spiral cable may be cut if steering wheel turns while separating steering column assembly and steering gear assembly. Always fix the steering wheel using string to avoid turning.**

- When installing lower joint to steering gear assembly, follow the procedure listed below.

# STEERING GEAR AND LINKAGE

## < ON-VEHICLE REPAIR >

- Set rack of steering gear in the neutral position.

### NOTE:

To get the neutral position of rack, turn gear-sub assembly and measure the distance of inner socket, and then measure the intermediate position of the distance.

- Align rear cover cap projection (A) with the marking position of gear housing assembly (B).

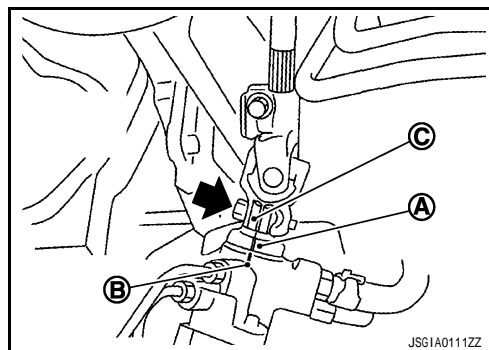
← : Bolt

- Install slit part of lower joint (C) aligning with the rear cover cap projection (A). Make sure that the slit part of lower joint (C) is aligned with rear cover cap projection (A) and the marking position of gear housing assembly (B).

- After installation, bleed air from the steering hydraulic system. Refer to [ST-8. "Inspection"](#).

- Perform final tightening of nuts and bolts on each part under unladen conditions with tires on level ground when removing steering gear assembly. Check wheel alignment. Refer to [FSU-7. "Inspection"](#).

- Adjust neutral position of steering angle sensor after checking wheel alignment. Refer to [BRC-10. "ADJUSTMENT OF STEERING ANGLE SENSOR NEUTRAL POSITION : Special Repair Requirement \(GT-R certified NISSAN dealer\)"](#).



## Disassembly and Assembly (GT-R certified NISSAN dealer)

INFOID:000000003850880

### DISASSEMBLY

1. Remove low pressure piping.

#### CAUTION:

- Disassemble and assemble steering gear assembly by fixing the mounting area with a vise using copper plates.
- Clean steering gear assembly with kerosene before disassembling. Be careful to avoid splashing or applying any kerosene over connector of discharge port or return port.

2. Remove cylinder tubes from gear housing assembly.

3. Remove rear cover cap from gear-sub assembly.

4. Measure adjusting screw height "H", and loosen adjusting screw.

#### CAUTION:

- Never loosen adjusting screw 2 turns or more.
- Replace steering gear assembly if adjusting screw is loosened 2 turns or more and it is removed.

5. Remove gear-sub assembly from gear housing assembly.

6. Remove O-ring from gear housing assembly.

7. Loosen outer socket lock nut, and remove outer socket.

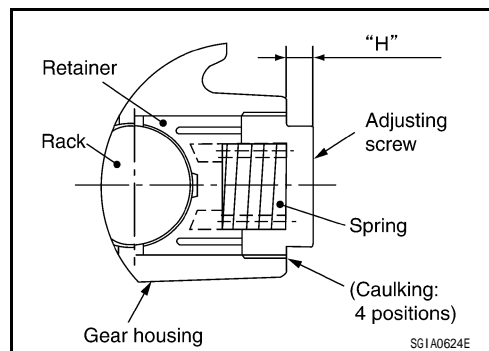
8. Remove boot clamps, and then remove boot from inner socket.

#### CAUTION:

Never damage inner socket and gear housing assembly when removing boot. Inner socket and gear housing assembly must be replaced if inner socket and gear housing assembly are damaged because it may cause foreign material interfusion.

9. Remove inner socket from gear housing assembly.

10. Remove spacer from gear housing assembly.



### ASSEMBLY

1. Apply recommended fluid to O-ring, and then install O-ring to gear housing assembly.

#### CAUTION:

Never reuse O-ring.

2. Install gear-sub assembly to gear housing assembly.

#### CAUTION:

In order to protect oil seal from any damage, insert gear-sub assembly straightly.

3. Install inner socket to gear housing assembly with the following procedure.

# STEERING GEAR AND LINKAGE

## < ON-VEHICLE REPAIR >

- a. Install spacer to gear housing assembly.
- b. Apply thread sealant into the thread of inner socket.  
**Use Genuine Silicone RTV or equivalent. Refer to [GI-15, "Recommended Chemical Products and Sealants"](#).**
4. Decide on the neutral position of the rack stroke (L).

### Standard

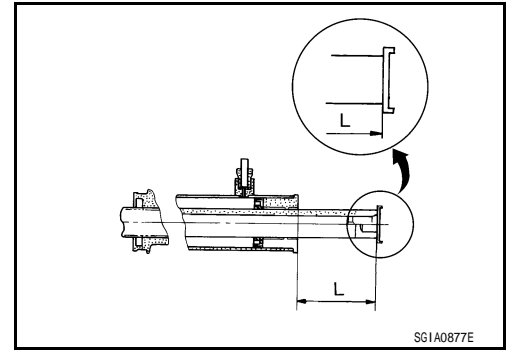
L

: Refer to [ST-34, "Rack Stroke \(GT-R certified NIS-SAN dealer\)"](#).

5. Install rear cover cap to gear sub-assembly.

### CAUTION:

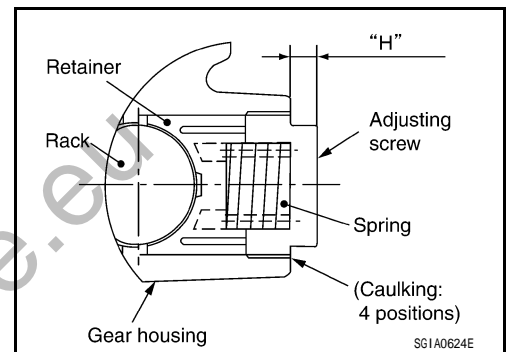
**Check that the projection of rear cover cap is aligned with the marking position of gear housing assembly.**



6. Apply recommended thread sealant to the thread (2 turns thread), and then screw in the adjusting screw until it reaches height "H" from gear housing assembly measured before disassembling.

**Use Genuine High Performance Thread Sealant or equivalent. Refer to [GI-15, "Recommended Chemical Products and Sealants"](#).**

7. Move rack assembly 10 strokes throughout the full stroke so that the parts can fit with each other.

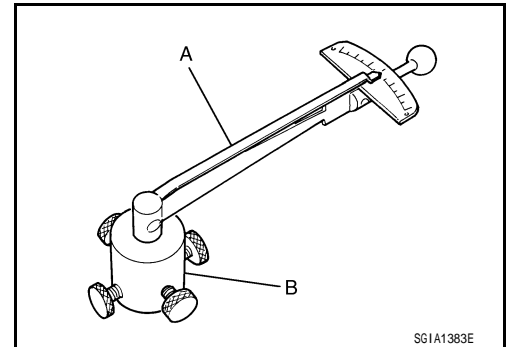


8. Adjust pinion rotating torque with the following procedure.
  - a. Measure pinion rotating torque within  $\pm 180^\circ$  of neutral position of the rack assembly using tools. Stop the gear at the point where highest torque is read.

A: Preload gauge [SST: ST3127S000 (J-25765-A)]

B: Preload adapter [SST: KV48103400 ( — )]

- b. Loosen adjusting screw and retighten to 5.4 N·m (0.55 kg·m, 48 in·lb), and then loosen by 20 to 40°.

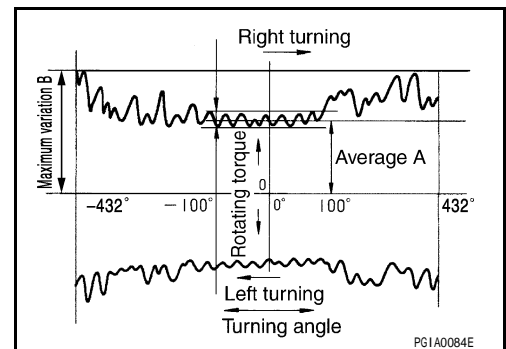


- c. Measure pinion rotating torque using tools to check that the measured value is within the specified value. Readjust if the value is outside the standard. Replace steering gear assembly, if the value is out of the specified value after readjusting, or adjusting screw rotating torque is 5 N·m (0.51 kg·m, 44 in·lb) or less.

### Pinion rotating torque

**Around neutral position (within  $\pm 100^\circ$ ) average (A) : 1.3 – 2.5 N·m (0.14 – 0.25 kg·m, 12 – 22 in·lb)**

**Maximum variation (B) : 3.0 N·m (0.31 kg·m, 27 in·lb)**



- d. Apply recommended sealant to inner socket and turn pinion fully to left with inner socket installed to gear housing assembly.

# STEERING GEAR AND LINKAGE

## < ON-VEHICLE REPAIR >

- e. Install dial gauge at 5 mm (0.20 in) (L) from the edge of gear housing assembly (1), and tooth point.
- f. Measure vertical movement of rack assembly when pinion is turned clockwise with torque of 19.6 N·m (2.0 kg-m, 14 ft-lb). Readjust adjusting screw angle if the measured value is out of the specified value.

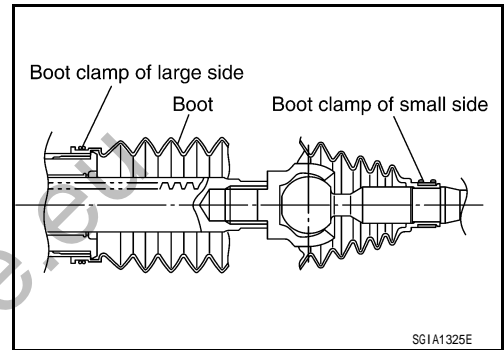
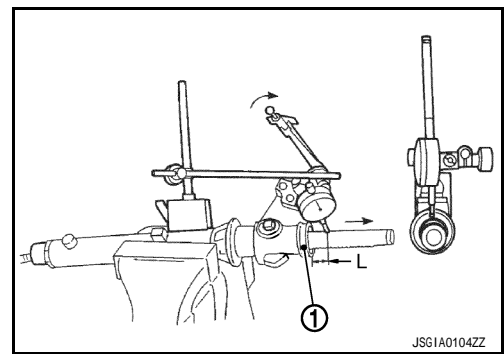
**Vertical movement : 0.265 mm (0.0104 in)**

- If reading is outside of the specification, readjust screw angle with adjusting screw.

**CAUTION:**

- If reading is still outside of specification, or if the rotating torque of adjusting screw is less than 5 N·m (0.51 kg-m, 44 in-lb), replace steering gear assembly.
- Never turn adjusting screw more than twice.
- Replace steering gear assembly when adjusting screw is removed or turned more than twice.

9. Install large end of boot to gear housing assembly.
10. Install small end of boot to inner socket boot mounting groove.
11. Install boot clamp to boot small end.



12. Install boot clamp to the large side of boot with the following procedure.

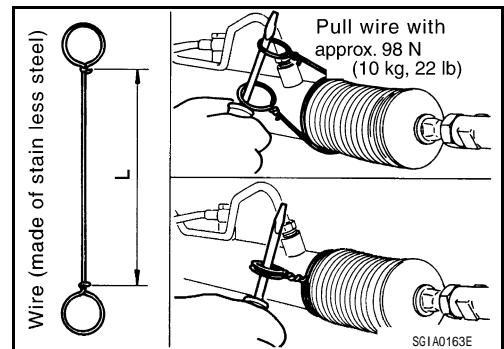
**CAUTION:**

**Never reuse boot clamp.**

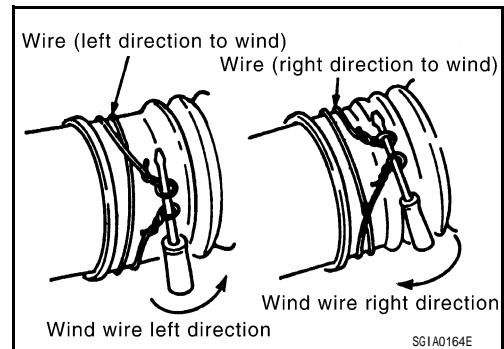
- a. Tighten large side of boot with boot clamp (stainless wire).

**Wire length (L) : 370 mm (14.57 in)**

- b. Wrap clamp around boot groove for two turns. Insert a flat-bladed screwdriver in loops on both ends of wire. Twist 4 to 4.5 turns while pulling them with force of approximately 98 N (10 kg, 22 lb).



- c. Twist boot clamp as shown. Pay attention to relationship between winding and twisting directions.



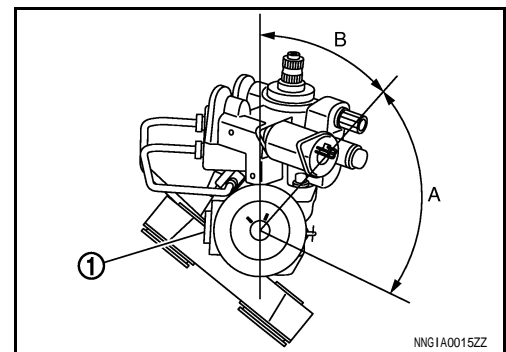
# STEERING GEAR AND LINKAGE

## < ON-VEHICLE REPAIR >

- d. Twisted area of clamp (A) is on the opposite side of adjusting screw (1) as shown in the figure. (To prevent contact with other parts)

**A** : 90°

**B** : 45°



- e. Bend cut end of the wire within the area (A) shown in the figure after twisting the wire 4 to 4.5 turns so that the cut end does not contact with boot.

**CAUTION:**

**Keep the clearance from cylinder tube 5.0 mm or more.**

**A** : 30°

13. Install cylinder tubes to gear housing assembly.

**CAUTION:**

**Never reuse copper washers.**

14. Install low pressure piping.

15. Adjust inner socket to standard length (L), and then tighten lock nut to the specified torque. Check length again after tightening lock nut.

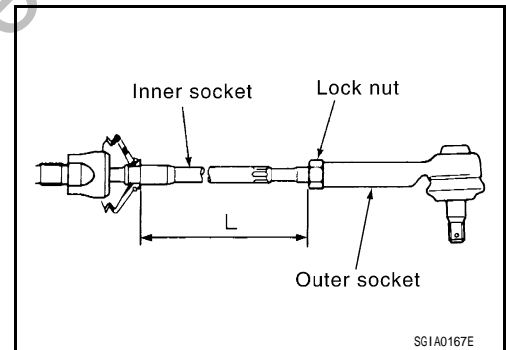
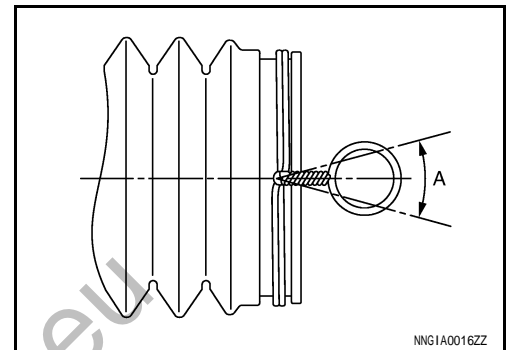
**Standard**

**L**

: Refer to [ST-34, "Inner Socket Length \(GT-R certified NISSAN dealer\)"](#).

**CAUTION:**

**Adjust toe-in after this procedure. The length achieved after toe-in adjustment is not necessary the above value.**



## Inspection (GT-R certified NISSAN dealer)

INFOID:000000003850881

### INSPECTION AFTER INSTALLATION

- Check if steering wheel turns smoothly when it is turned several times fully to the end of the left and right.
- Check the steering wheel play, neutral position steering wheel, steering wheel turning force, and front wheel turning angle. Refer to [ST-10, "Inspection"](#).
- Check the fluid level, fluid leakage, and air bleeding hydraulic system. Refer to [ST-8, "Inspection"](#).

### INSPECTION AFTER DISASSEMBLY

#### Boot

Check boot for cracks, and replace it if a malfunction is detected.

#### Rack Assembly

Check rack for damage or wear, and replace it if a malfunction is detected.

#### Gear-Sub Assembly

- Check gear-sub assembly for damage or wear, and replace it if a malfunction is detected.
- Rotate gear-sub assembly and check for torque variation or rattle, and replace it if a malfunction is detected.

#### Gear Housing Assembly

Check gear housing assembly for damage and scratches (inner wall). Replace if there are.

#### Outer Socket and Inner Socket

Check the following items and replace the component if it does not meet the standard.



# STEERING GEAR AND LINKAGE

## < ON-VEHICLE REPAIR >

### BALL JOINT SWINGING TORQUE

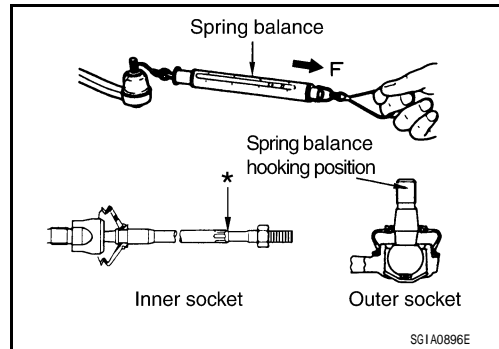
Hook a spring balance at the point shown in the figure and pull the spring balance. Make sure that the spring balance reads the specified value when ball stud and inner socket start to move. Replace outer socket and inner socket if they are outside the standard.

#### Standard

(Measuring point of outer socket: Stud cotter pin mounting hole)

Outer socket

: Refer to [ST-34, "Socket Swing Force and Rotating Torque \(GT-R certified NISSAN dealer\)"](#).



#### Standard

(Measuring point of inner socket: "\*" mark shown in the figure)

Inner socket

: Refer to [ST-34, "Socket Swing Force and Rotating Torque \(GT-R certified NISSAN dealer\)"](#).

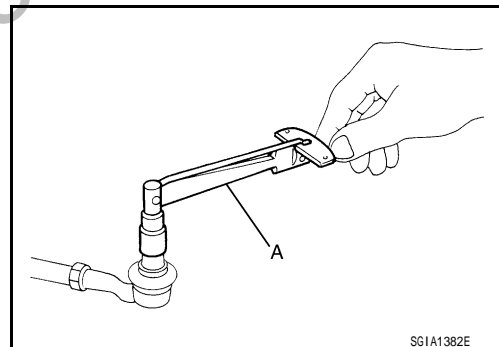
### BALL JOINT ROTATING TORQUE

Make sure that the reading is within the following specified range using preload gauge (A) [SST: ST3127S000 (J-25765-A)]. Replace outer socket if the reading is outside the specified value.

#### Standard

Rotating torque

: Refer to [ST-34, "Socket Swing Force and Rotating Torque \(GT-R certified NISSAN dealer\)"](#).



### BALL JOINT AXIAL END PLAY

Apply an axial load of 490 N (50 kg, 110 lb) to ball stud. Using a dial gauge, measure amount of stud movement, and then make sure that the value is within the following specified range. Replace outer socket (1) and inner socket (2) if the measured value is outside the standard.

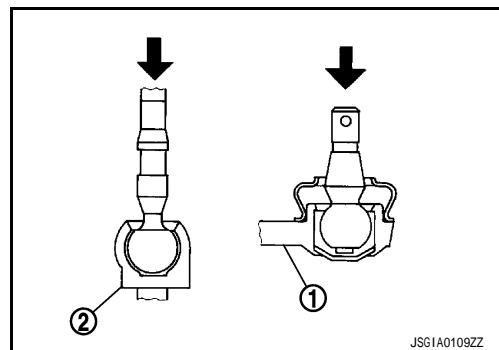
#### Standard

Outer socket

: Refer to [ST-34, "Socket Axial End Play \(GT-R certified NISSAN dealer\)"](#).

Inner socket

: Refer to [ST-34, "Socket Axial End Play \(GT-R certified NISSAN dealer\)"](#).



# POWER STEERING OIL PUMP

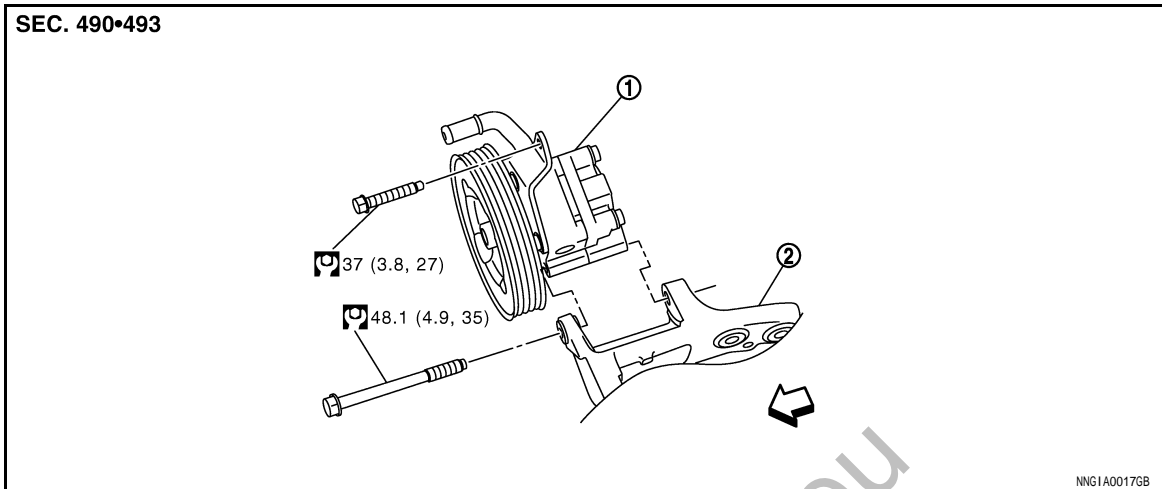
< ON-VEHICLE REPAIR >

## POWER STEERING OIL PUMP

Exploded View

INFOID:000000003850882

REMOVAL

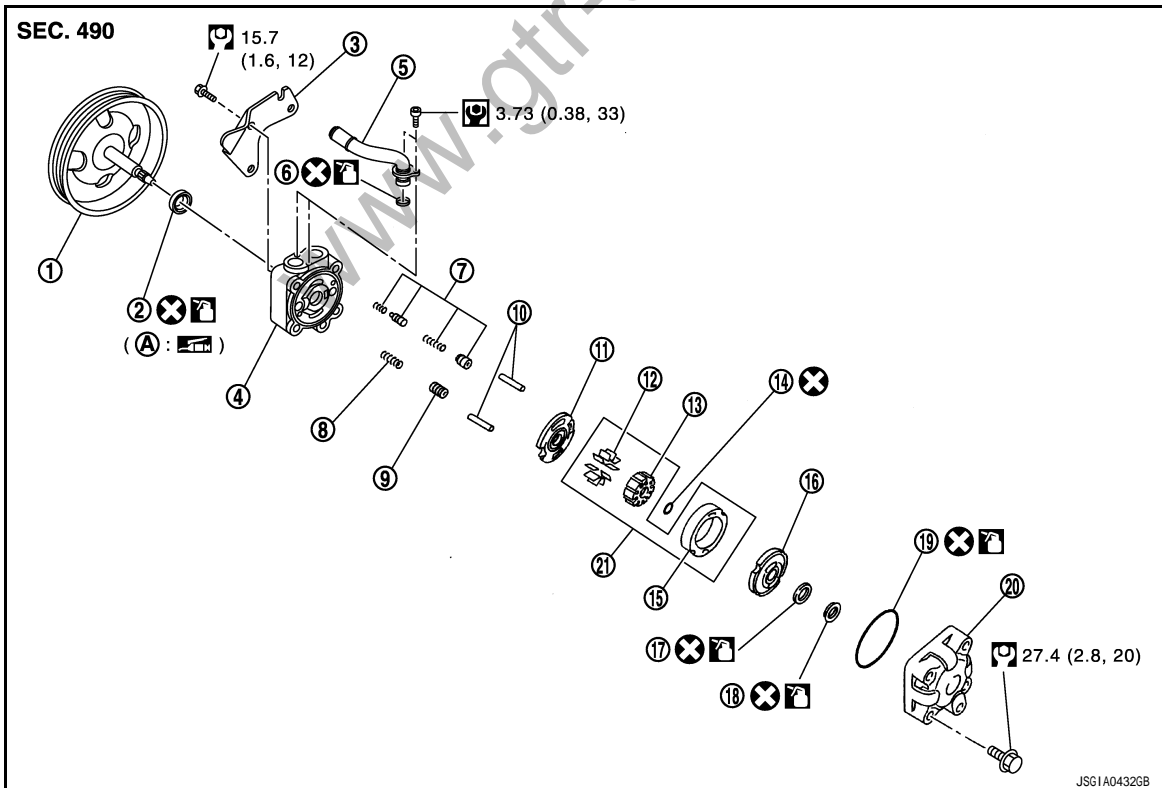


1. Power steering oil pump      2. Bracket

⇐: Vehicle front

Refer to [GI-4. "Components"](#) for symbols in the figure.

DISASSEMBLY




- |                                  |                              |                         |
|----------------------------------|------------------------------|-------------------------|
| 1. Pulley                        | 2. Oil seal                  | 3. Bracket              |
| 4. Body assembly                 | 5. Suction pipe              | 6. O-ring               |
| 7. Flow control valve B assembly | 8. Flow control valve spring | 9. Flow control valve A |

# POWER STEERING OIL PUMP

## < ON-VEHICLE REPAIR >

- |                     |                      |                 |
|---------------------|----------------------|-----------------|
| 10. Dowel pin       | 11. Front side plate | 12. Vane        |
| 13. Rotor           | 14. Rotor snap ring  | 15. Cam ring    |
| 16. Rear side plate | 17. O-ring           | 18. Teflon ring |
| 19. O-ring          | 20. Rear cover       | 21. Cartridge   |
- A. Oil seal lip

: Apply power steering fluid.

: Apply multi-purpose grease.

Refer to [GI-4, "Components"](#) for symbols not described on the above.

## Removal and Installation (GT-R certified NISSAN dealer)

INFOID:000000003850883

### REMOVAL

1. Drain power steering fluid from reservoir tank.
2. Remove the right of the air cleaner and the right of the air duct. Refer to [EM-26, "Exploded View"](#).
3. Loosen drive belt. Refer to [EM-25, "Exploded View"](#).
4. Remove drive belt from oil pump pulley.
5. Remove pressure sensor connector.
6. Remove copper washers and eye bolt (drain fluid from their pipings).
7. Remove suction hose (drain fluid from their pipings).
8. Remove oil pump mounting bolts, and then remove oil pump.

### INSTALLATION

Note the following, and install in the reverse order of removal.

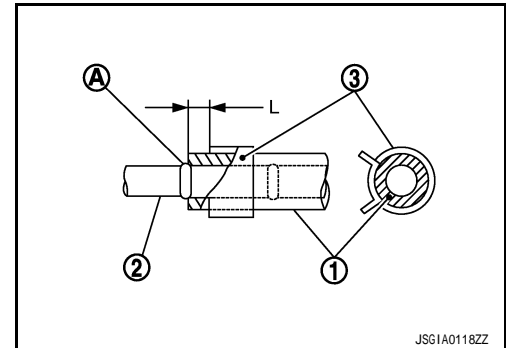
- When installing suction hoses (1), refer to the figure.

#### CAUTION:

- Never apply fluid to the hose (1) and tube (2).
- Insert hose securely until it contacts spool (A) of tube.
- Leave clearance (L) when installing clamp (3).

Standard

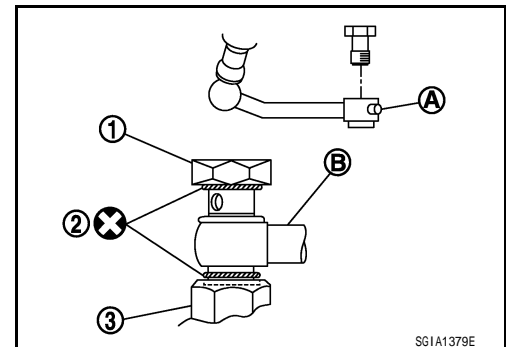
L : 3 – 8 mm (0.12 – 0.31 in)



- When installing eye bolt (1) and copper washer (2) to oil pump (3), refer to the figure.

#### CAUTION:

- Never reuse copper washer.
  - Apply power steering fluid to around copper washers, then install eye bolt.
  - Install eye bolt with eye joint (assembled to high pressure hose) (B) protrusion (A) facing with pump side cutout, and then tighten it to the specified torque after tightening by hand. Refer to [ST-32, "Exploded View"](#).
  - Securely insert harness connector to pressure sensor.
- Adjust belt tension. Refer to [EM-13, "Tension Adjustment \(GT-R certified NISSAN dealer\)"](#).
  - Check fluid level, fluid leakage and air bleeding hydraulic system after the installation. Refer to [ST-8, "Inspection"](#).



## Disassembly and Assembly (GT-R certified NISSAN dealer)

INFOID:000000003850884

### DISASSEMBLY

1. Remove rear cover mounting bolts, and then remove rear cover from body assembly.

#### CAUTION:

# POWER STEERING OIL PUMP

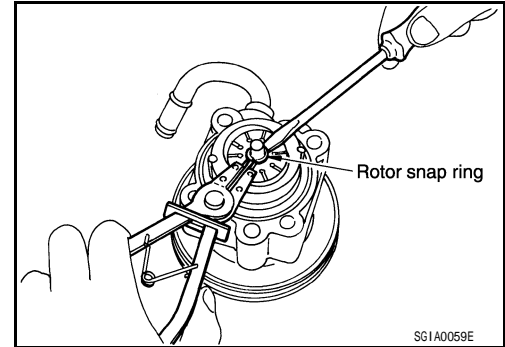
## < ON-VEHICLE REPAIR >

- Fix oil pump with a vise if necessary.
- Use copper plates when fixing with a vise.

2. Remove O-ring from body assembly.
3. Remove rear side plate from cartridge, and then remove Teflon ring and O-ring from rear side plate.
4. Remove rotor snap ring using a snap ring pliers, and remove pulley from body assembly.

**CAUTION:**

Be careful not to damage pulley, when removing rotor snap ring.

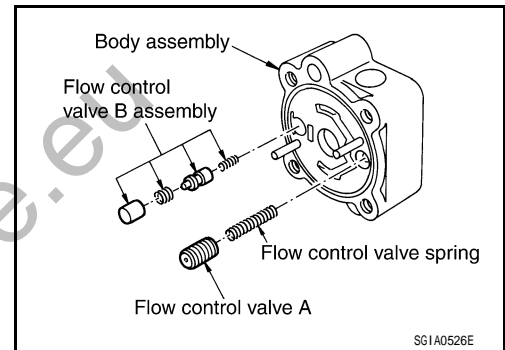


5. Remove cartridge and front side plate.
6. Remove flow control valve A, flow control valve spring and flow control valve B assembly from body assembly.

**CAUTION:**

Never drop and damage flow control valve A and flow control valve B assembly when removing.

7. Remove oil seal from body assembly.
8. Remove mounting bolt of suction pipe, and then remove suction pipe from body assembly.
9. Remove O-ring from body assembly.
10. Remove bracket mounting bolts, and then remove bracket from body assembly.



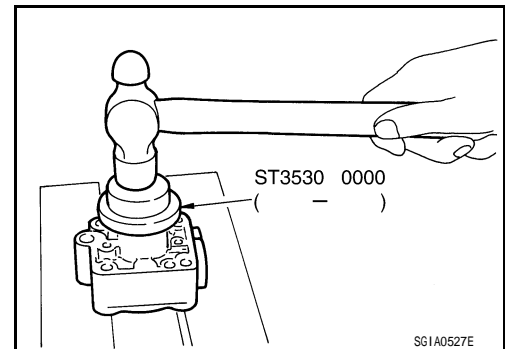
## ASSEMBLY

1. Apply recommended grease to oil seal lips. Apply recommended fluid to around oil seal, and then install oil seal to body assembly using a drift [SST: ST35300000 ( — )]

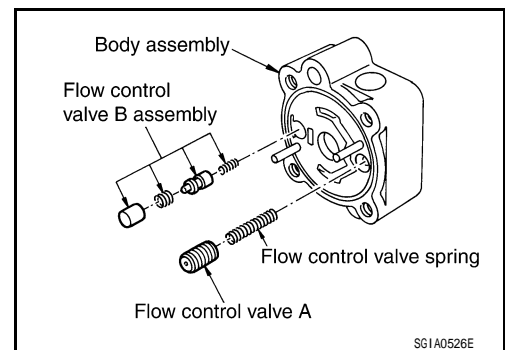
**CAUTION:**

- Fix oil pump with a vise if necessary.
- Use copper plates when fixing with a vise.

2. Install bracket to body assembly.
3. If dowel pin has been removed, insert it into body assembly by hand. If it cannot be inserted by hand, lightly tap with a hammer.



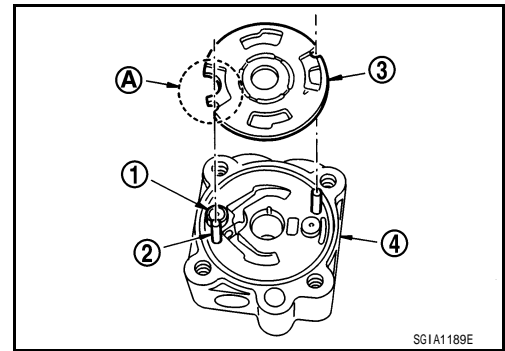
4. Install flow control valve A, flow control valve spring and flow control valve B assembly to body assembly.



# POWER STEERING OIL PUMP

## < ON-VEHICLE REPAIR >

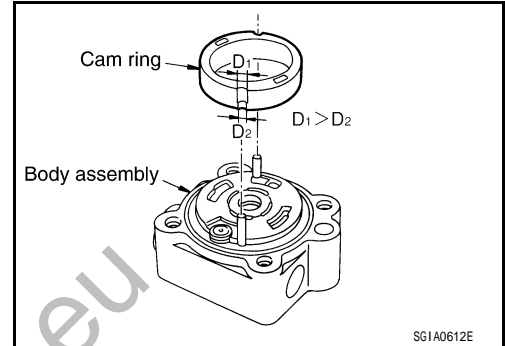
5. Install front side plate (3) with dowel pin (2) on flow control valve A (1) side as shown in the figure aligning with front side plate cutout (A) to body assembly (4).



6. Install cam ring as shown in the figure.  
7. Install pulley to body assembly.

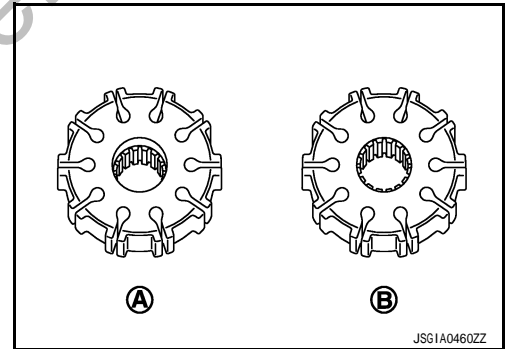
**CAUTION:**

**Never damage oil seal when installing pulley.**

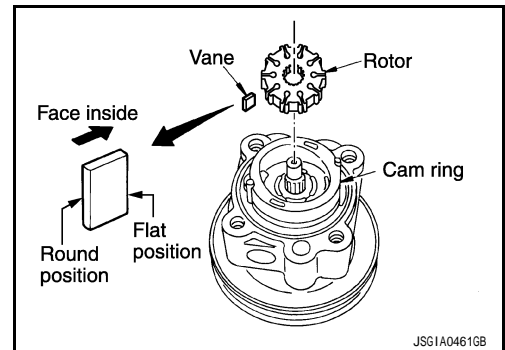


8. Be careful with the orientation of rotor, and then install it to pulley shaft.

- A :Rear cover side  
B :Body assembly side



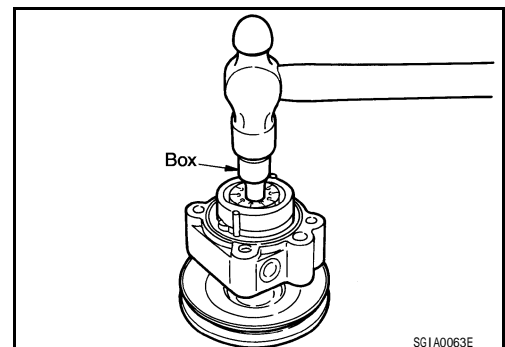
9. Install vane to rotor so that arc of vane faces cam ring side.



10. Install rotor snap ring to slit of pulley shaft using a hammer and a 10 mm (0.39 in) box.

**CAUTION:**

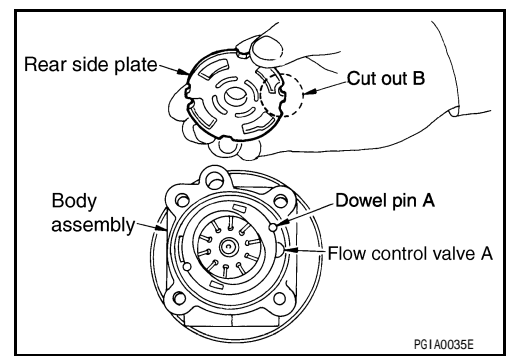
- Never damage rotor and pulley shaft.
- Oil pump assembly must be replaced if rotor is damaged.



# POWER STEERING OIL PUMP

## < ON-VEHICLE REPAIR >

11. Install rear side plate with dowel pin A on flow control valve A side as shown in the figure aligning with rear side plate cutout B to cartridge.
12. Apply recommended fluid to O-ring, and then install O-ring to body assembly.
13. Apply recommended fluid to O-ring, and then install O-ring to rear side plate.
14. Apply recommended fluid to Teflon ring, and then install Teflon ring to rear side plate.
15. Install rear cover to body assembly.
16. Apply recommended fluid to O-ring, and then install O-ring to body assembly.
17. Install suction pipe to body assembly.



Inspection (GT-R certified NISSAN dealer)

INFOID:000000003850885

## RELIEF OIL PRESSURE

### CAUTION:

Check that belt tension is normal before starting the following procedure.

1. Connect the oil pressure gauge [SST: KV48103500 (J-26357)] and the oil pressure gauge adapter [SST: KV48102500 (J-33914)] between oil pump discharge connector and high-pressure hose. Bleed air from the hydraulic circuit while opening valve fully. Refer to [ST-8, "Inspection"](#).
2. Start engine. Run engine until oil temperature reaches 50 to 80°C (122 to 176°F).

### CAUTION:

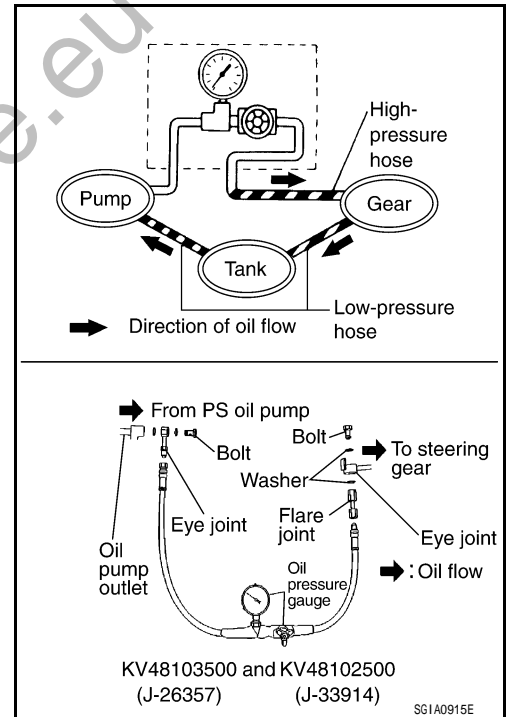
- Leave the valve of the oil pressure gauge fully open while starting and running engine. If engine is started with the valve closed, the hydraulic pressure in oil pump goes up to the relief pressure along with unusual increase of oil temperature.
- Always keep hose clear of belts and other parts when engine is started.

3. Fully close the oil pressure gauge valve with engine at idle and measure the relief oil pressure.

Standard

Relief oil pressure

: Refer to [ST-34, "Relief Oil Pressure \(GT-R certified NISSAN dealer\)"](#).



### CAUTION:

Never keep valve fully closed for 10 seconds or longer.

4. Open the valve slowly after measuring. Repair oil pump if the relief oil pressure is outside the standard. Refer to [ST-27, "Disassembly and Assembly \(GT-R certified NISSAN dealer\)"](#).
5. Disconnect the oil pressure gauge from hydraulic circuit.

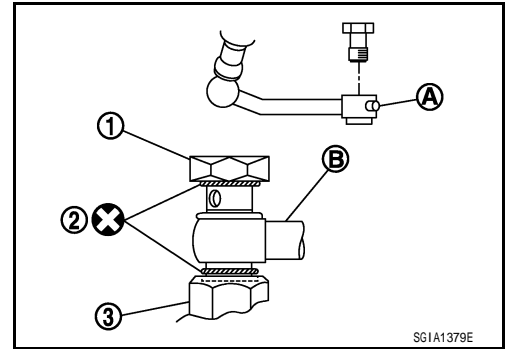
# POWER STEERING OIL PUMP

## < ON-VEHICLE REPAIR >

6. When installing eye bolt (1) and copper washer (2) to oil pump (3), refer to the figure.

**CAUTION:**

- Never reuse copper washers.
- Apply power steering fluid or equivalent to around copper washer, then install eye bolt.
- Install eye bolt with eye joint (assembled to high pressure hose) (B) protrusion (A) facing with pump side cutout, and then tighten it to the specified torque after tightening by hand. Refer to [ST-32. "Exploded View"](#).
- Securely insert harness connector to pressure sensor.



7. Check fluid level, fluid leakage and air bleeding hydraulic system after the installation. Refer to [ST-8. "Inspection"](#).

## BEFORE DISASSEMBLY

Disassemble oil pump only when the following malfunctions occur.

- If oil leakage is found on oil pump.
- Oil pump pulley is damaged or deformed.
- Performance of oil pump is low.

## AFTER DISASSEMBLY

### Body Assembly and Rear Cover Inspection

Check body assembly and rear cover for internal damage. Replace rear cover if it is damaged. Replace oil pump assembly if body assembly is damaged.

### Cartridge Assembly Inspection

Check cam ring, rotor and vane for damage. Replace cartridge assembly if necessary.

### Side Plate Inspection

Check side plate for damage. Replace side plate if there are.

### Flow Control Valve Inspection

Check flow control valve and spring for damage. Replace if necessary.

A  
B  
C  
D  
E  
F  
ST  
H  
I  
J  
K  
L  
M  
N  
O  
P

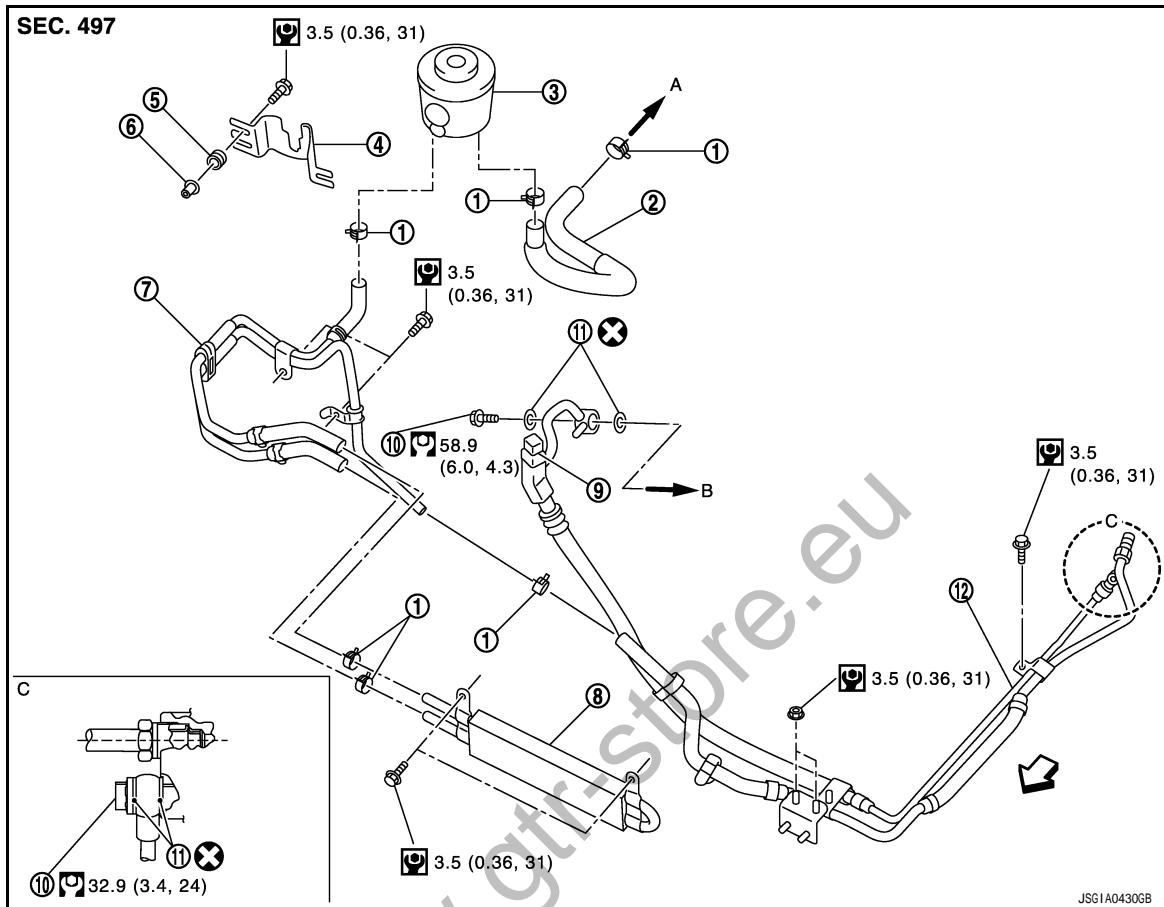
# HYDRAULIC LINE

< ON-VEHICLE REPAIR >

## HYDRAULIC LINE

### Exploded View

INFOID:000000003850887



- |                           |                   |  |
|---------------------------|-------------------|--|
| 1. Clamp                  | 2. Suction hose   | 3. Reservoir tank                                |
| 4. Reservoir tank bracket | 5. Bushing        | 6. Collar  |
| 7. Return hose            | 8. Oil cooler     | 9. Pressure sensor                               |
| 10. Eye bolt              | 11. Copper washer | 12. High pressure piping and low pressure piping |

- A. To power steering oil pump suction piping.    B. To power steering oil pump.

←: Vehicle front

Refer to [GI-4. "Components"](#) for symbols in the figure.



## SERVICE DATA AND SPECIFICATIONS (SDS)

< SERVICE DATA AND SPECIFICATIONS (SDS)

# SERVICE DATA AND SPECIFICATIONS (SDS)

## SERVICE DATA AND SPECIFICATIONS (SDS)

### General Specifications

INFOID:0000000003850888

Steering gear model	PR26AF
Fluid capacity (Approx.) ℓ (US qt, Imp qt)	1.0 (1-1/8, 7/8)

### Steering Wheel Axial End Play and Play

INFOID:0000000003850889

Unit: mm (in)

Item	Standard
Steering wheel axial end play	0 (0)
Steering wheel play on the outer circumference	0 – 35 (0 – 1.38)

### Steering Wheel Turning Torque

INFOID:0000000003850890

Unit: N·m (kg-m, in-lb)

Item	Standard
Steering wheel turning force	7.45 (0.76, 66)

### Steering Angle

INFOID:0000000003850891

Unit: Degree minute (Decimal degree)

Item		Standard
Inner wheel	Minimum	36°24.5' (36.40°)
	Nominal	36°27' (36.45°)
	Maximum	36°29.5' (36.49°)
Outer wheel	Minimum	30°54.5' (30.90°)
	Nominal	30°57' (30.95°)
	Maximum	30°59.5' (30.99°)

### Steering Column Mounting Dimensions (GT-R certified NISSAN dealer)

INFOID:0000000003850893

Unit: mm (in)

Item	Standard
Mounting dimension	26.8 – 28.2 (1.055 – 1.11)

### Steering Column Operating Range (GT-R certified NISSAN dealer)

INFOID:0000000003850894

Item	Standard
Tilt operating range	60 mm (2.36 in)
Telescopic operating range	60 mm (2.36 in)
Rotating torque	0.39 N·m (0.04 kg-m, 3 in-lb)

### Lower Shaft (GT-R certified NISSAN dealer)

INFOID:0000000003850895

Unit: mm (in)

Item	Standard
Lower shaft length	459.8 (18.10) or more

## SERVICE DATA AND SPECIFICATIONS (SDS)

### < SERVICE DATA AND SPECIFICATIONS (SDS)

#### Rack Sliding Force (GT-R certified NISSAN dealer)

INFOID:000000003850896

Unit: N (kg, lb)

Item	Standard
Rack sliding force	171 – 234 (17.4 – 23.8, 38.4 – 52.6)

#### Rack Stroke (GT-R certified NISSAN dealer)

INFOID:000000003850897

Unit: mm (in)

Item	Standard
Rack stroke neutral position	76.0 (2.99)

#### Socket Swing Force and Rotating Torque (GT-R certified NISSAN dealer)

INFOID:000000003850898

##### SWING FORCE

Unit: N (kg, lb)

Item	Standard
Outer socket	4.81 – 45.7 (0.5 – 4.6, 1.1 – 10.2)
Inner socket	8.9 – 64 (0.91 – 6.5, 2.01 – 14.3)

##### ROTATING TORQUE

Unit: N·m (kg-m, in-lb)

Item	Standard
Outer socket	0.3 – 2.9 (0.03 – 0.29, 3 – 25)
Inner socket	1.0 – 7.8 (0.11 – 0.79, 9 – 69)

#### Socket Axial End Play (GT-R certified NISSAN dealer)

INFOID:000000003850899

Unit: mm (in)

Item	Standard
Outer socket	0.5 (0.02) or less
Inner socket	0.2 (0.008) or less

#### Inner Socket Length (GT-R certified NISSAN dealer)

INFOID:000000003850900

Unit: mm (in)

Item	Standard
Rack neutral position, dimension	33.5 (1.319)

#### Relief Oil Pressure (GT-R certified NISSAN dealer)

INFOID:000000003850901

Unit: kPa (kg/cm<sup>2</sup>, psi)

Item	Standard
Relief oil pressure	8,500 – 9,300 (86.7 – 94.9, 1,233 – 1,349)